



Fiber Optics > Fiber Optic Connectors > Backplane Fiber Optics > Backplane Fiber Optics connector kit



Fiber Optic Connector Type: **Module (Daughtercard) Kit**

Number of Positions: **2**

Operating Temperature Range: **-40 – 85 °C**

[All Backplane Fiber Optics connector kit \(4\)](#)

Features

Product Type Features

Backplane Fiber Optic Product Type	Connector Kit
Fiber Optic Connector Type	Module (Daughtercard) Kit

Configuration Features

Number of Positions	2
---------------------	---

Housing Features

Housing Material	Aluminum
------------------	----------

Usage Conditions

Operating Temperature Range	-40 – 85 °C
-----------------------------	-------------

Product Compliance

[For compliance documentation, visit the product page on TE.com>](#)

EU RoHS Directive 2011/65/EU	Compliant
EU ELV Directive 2000/53/EC	Compliant
China RoHS 2 Directive MIIT Order No 32, 2016	No Restricted Materials Above Threshold
EU REACH Regulation (EC) No. 1907/2006	Current ECHA Candidate List: JUNE 2022 (224) Candidate List Declared Against: JUL 2021 (219) SVHC > Threshold: Cd (1% in Component part)

Article Safe Usage Statements:
Use personal protective equipment as required. Do not eat, drink or smoke when using this product. Recycle if possible and dispose of the article by following all applicable governmental regulations relevant to your geographic location.

Halogen Content

Low Halogen - Br, Cl, F, I < 900 ppm per homogenous material. Also BFR/CFR/PVC Free

Solder Process Capability

Wave solder capable to 265°C

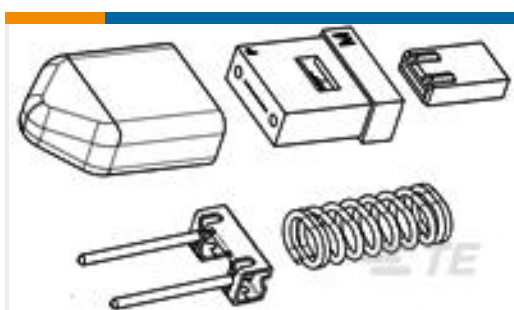
Product Compliance Disclaimer

This information is provided based on reasonable inquiry of our suppliers and represents our current actual knowledge based on the information they provided. This information is subject to change. The part numbers that TE has identified as EU RoHS compliant have a maximum concentration of 0.1% by weight in homogenous materials for lead, hexavalent chromium, mercury, PBB, PBDE, DBP, BBP, DEHP, DIBP, and 0.01% for cadmium, or qualify for an exemption to these limits as defined in the Annexes of Directive 2011/65/EU (RoHS2). Finished electrical and electronic equipment products will be CE marked as required by Directive 2011/65/EU. Components may not be CE marked. Additionally, the part numbers that TE has identified as EU ELV compliant have a maximum concentration of 0.1% by weight in homogenous materials for lead, hexavalent chromium, and mercury, and 0.01% for cadmium, or qualify for an exemption to these limits as defined in the Annexes of Directive 2000/53/EC (ELV). Regarding the REACH Regulation, the information TE provides on SVHC in articles for this part number is based on the latest European Chemicals Agency (ECHA) 'Guidance on requirements for substances in articles' posted at this URL: <https://echa.europa.eu/guidance-documents/guidance-on-reach>

Compatible Parts



TE Part # 2000973-1
Connector Kit, Rcpt, Backplane, MT, V66.1



TE Part # 2102866-2
MT Ferrule Kit w/ Spring/Pins/Holder, MM



TE Part # 2102321-1
Dust Cover,VITA 66.1,Low-Profile Variant

Documents

CAD Files

3D PDF

3D

Customer View Model

[ENG_CVM_CVM_2000974-1_A_c-2000974-1-a.2d_dxf.zip](#)

English

Customer View Model

[ENG_CVM_CVM_2000974-1_A_c-2000974-1-a.3d_igs.zip](#)

English

Customer View Model

[ENG_CVM_CVM_2000974-1_A_c-2000974-1-a.3d_stp.zip](#)

English

By downloading the CAD file I accept and agree to the [Terms and Conditions](#) of use.

Datasheets & Catalog Pages

[SOSA Aligned Interconnect Solutions](#)

English



[Product Specifications](#)

[Application Specification](#)

English